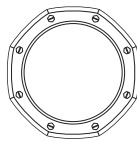


INSTRUCTIONS *FOR USE*

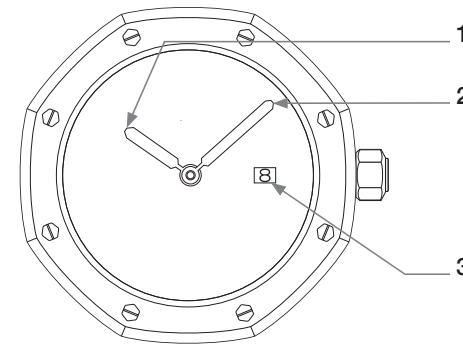
CALIBRES 2713, 2714 & 2716

QUARTZ



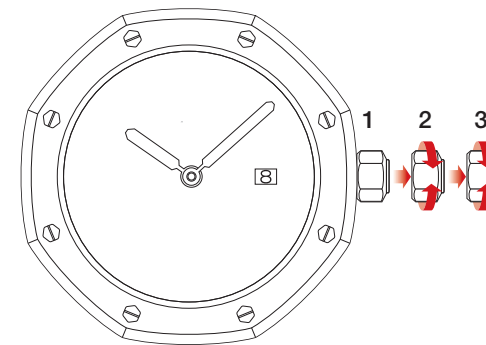
AUDEMARS PIGUET
Le Brassus

INDICATIONS



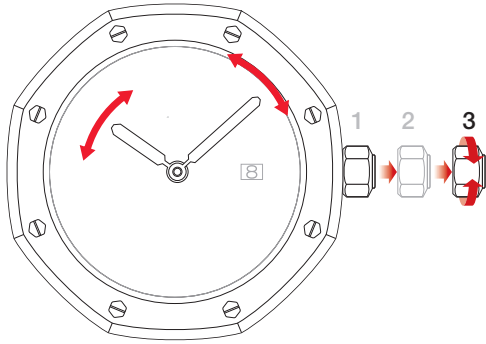
- 1 Hour
- 2 Minute
- 3 Date aperture (only the models concerned)

CROWN

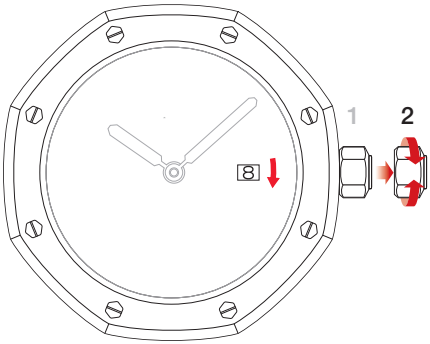


- 1 Neutral position
- 2 Rapid date correction
- 3 Setting the time

SETTING THE TIME



DATE CORRECTION



Don't perform date change between 8 pm and 1 am.

OUR USAGE AND *MAINTENANCE RECOMMENDATIONS*

Your watch should fit properly on your wrist, and you should avoid wearing other items of jewellery alongside it. Remember to remove your watch when adjusting the functions.

Whether your watch is mechanical or quartz, if it begins to lose precision or stops working, it is strongly recommended that you have it checked, since a complete maintenance service may be required.

A complete maintenance service offers a good opportunity to have your watch polished. However, we generally recommend that you only have it polished three to five times during its life cycle. Such restraint prevents the deformation of its angles and the geometrical shape of the case or metal bracelet.

If your watch is equipped with a quartz movement, you should replace an exhausted battery as soon as you notice that it has stopped working in order to prevent damage to the movement. To increase the life of your battery, we recommend pulling the crown out to position 2 when you are not wearing it. Remember to return the crown to position 1 before wearing it, to reactivate watch operation. Except in exceptional cases, a partial water resistance service is always performed when the battery is changed.

Have the seals checked annually to ensure water resistance. In the event of an incident or an unsatisfactory result, at least a partial water resistance service (replacement of the water-resistant seals) is recommended. A complete maintenance service may also prove to be immediately necessary.

Avoid any contact with corrosive materials (perfumes, sodas, chlorine, sea water, etc.) as they are likely to damage the water-resistant seals. Likewise, avoid the prolonged immersion of a watch equipped with a leather strap, even if the watch case is water-resistant.

Before swimming with your watch, check that the crown and push-pieces are correctly screwed into the case (according to the model). After swimming, we strongly recommend that you rinse your watch in clear water and dry it with a soft cloth. We generally recommend that you clean your watch regularly in this way.

Avoid major shocks, exposure to major magnetic fields (magnets, hi-fi speakers, etc.) and thermal shocks (saunas, steam baths, spas, etc.).

SAFETY PRECAUTIONS

WARNING



- **INDIGESTION HAZARD:** This product contains a button cell or coin battery.
- **DEATH** or serious injury can occur if ingested.
- A swallowed button cell or coin battery can cause **Internal Chemical Burns** in as little as **2 hours**.
- **KEEP** new and used batteries **OUT OF REACH of CHILDREN**.
- **Seek immediate medical attention** if a battery is suspected to be swallowed or inserted inside any part of the body.
- Even used batteries may cause severe injury or death.
- Non-rechargeable batteries are not to be recharged.
- Do not force discharge, recharge, disassemble, heat above (manufacturer's specified temperature rating) or incinerate.
- Doing so may result in injury due to venting, leakage or explosion resulting in chemical burns.
- Call a local poison control center for treatment information.



- Watches only to be opened by a professional service center.
- Compatible battery: code 321, Ø 6.80 mm, height 1.65 mm.